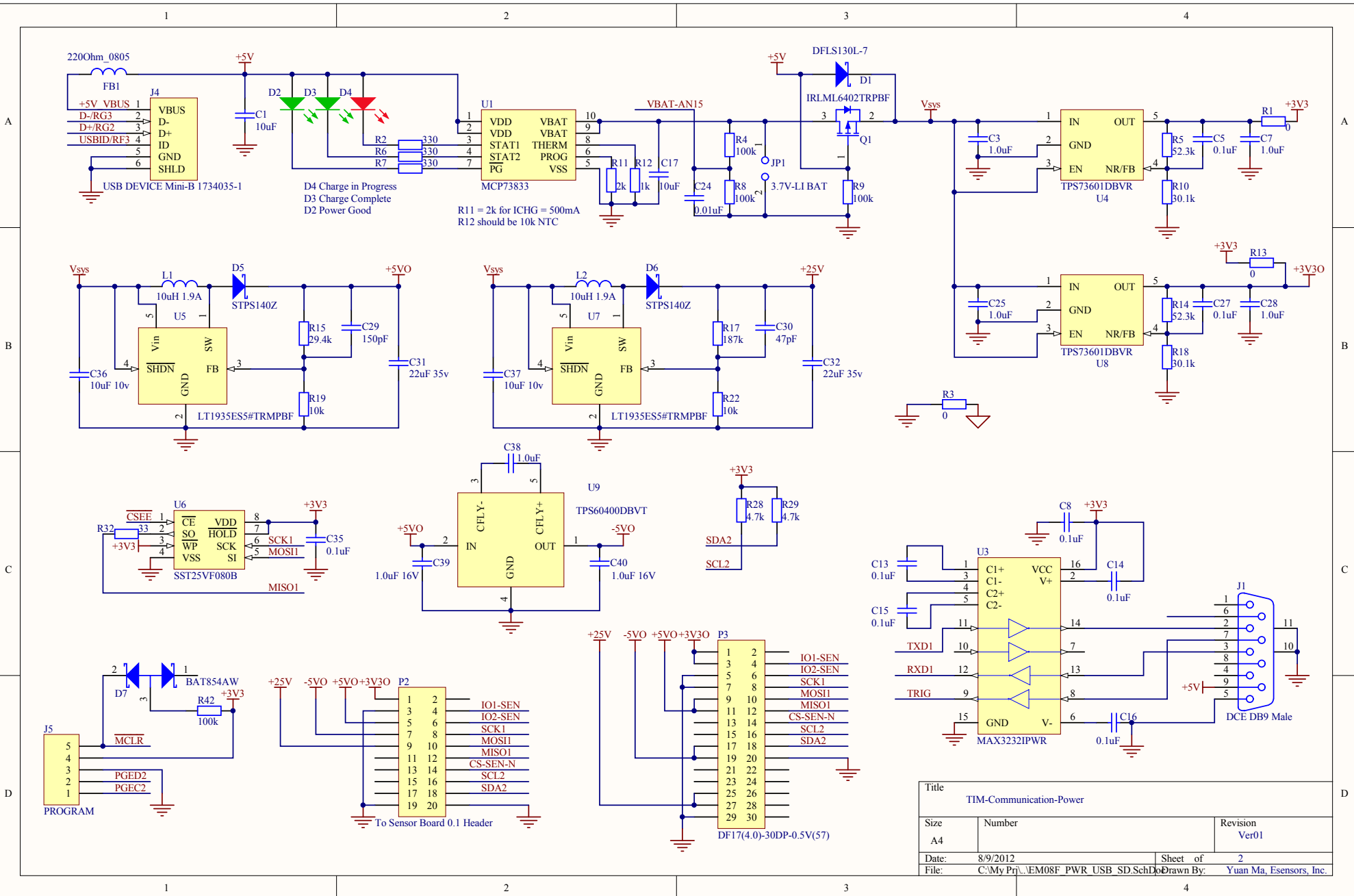
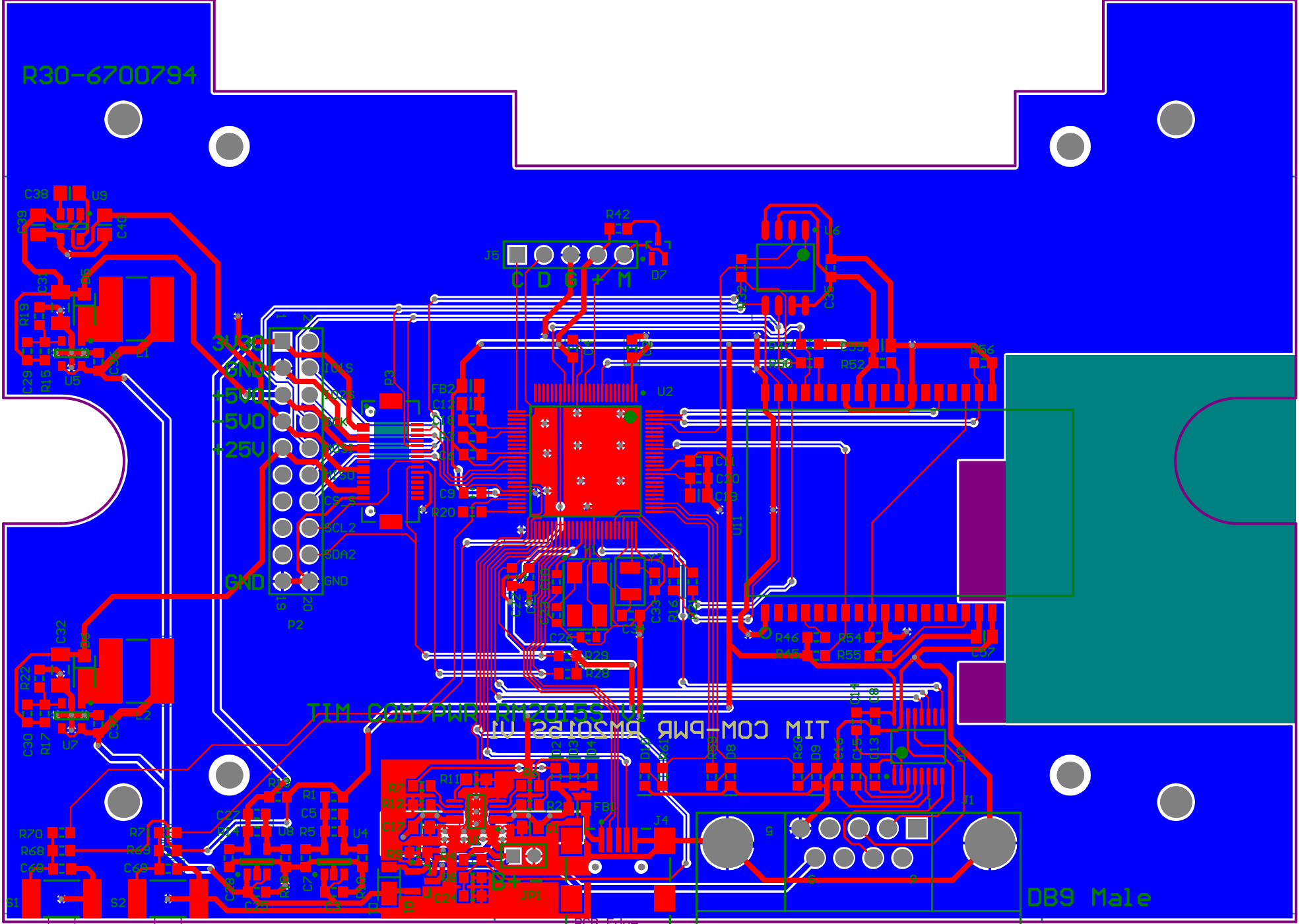


Title		
TIM-Communication-Power		
Size	Number	Revision
A4		Ver01
Date:	8/9/2012	Sheet of 1
File:	C:\My Prj\EM08F_MCU_WiFi.SchDoc	Drawn By: Yuan Ma, Esensors, Inc.



Title			TIM-Communication-Power		
Size	Number		Revision		
A4			Ver01		
Date:	8/9/2012		Sheet	of 2	
File:	C:\My Prj\EM08F_PWR_USB_SD.SchDoc		Drawn By:	Yuan Ma, Esensors, Inc.	

R30-6700794



TIM COM-PWR MIT 221016S U1

DB9 Male

LP88 Edge